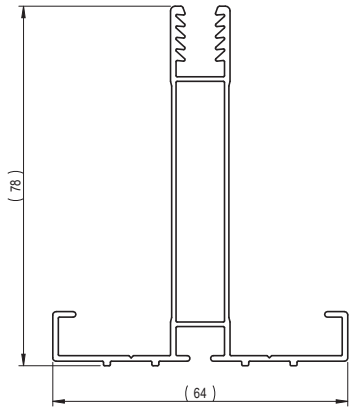




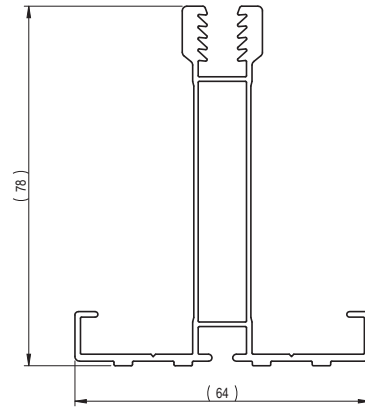
MK5 Extrusion Size Guide



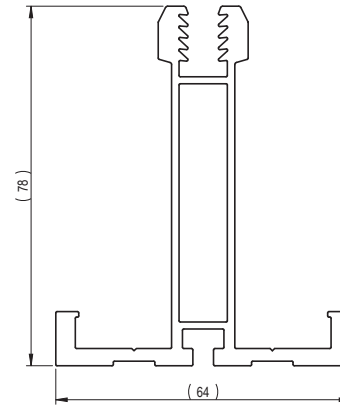
Rafters, Hips & Gables



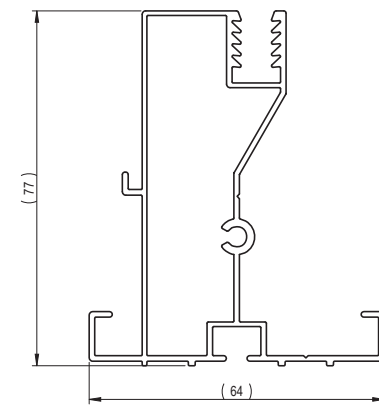
4403
LIGHT DUTY RAFTER



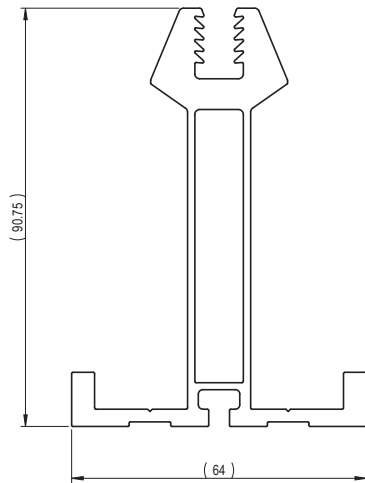
4405
STANDARD DUTY RAFTER



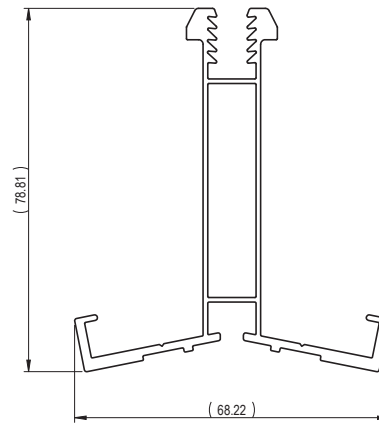
4406
HEAVY DUTY RAFTER



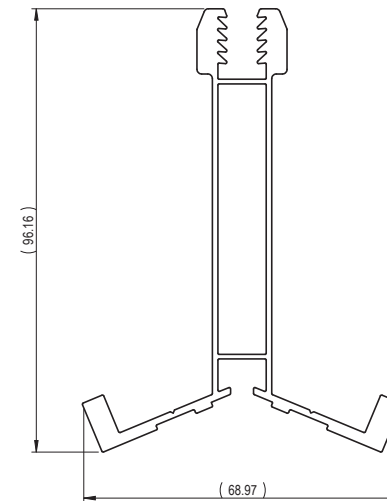
4404
STARTER/GABLE RAFTER



4409
SUPER DUTY RAFTER



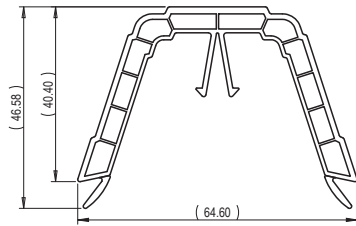
4408
VICTORIAN HIP



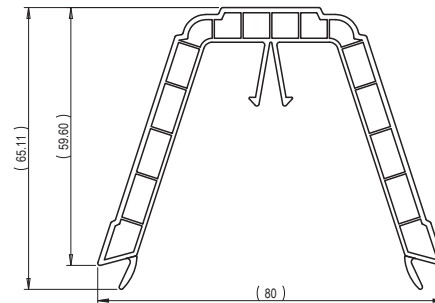
4407
EDWARDIAN HIP



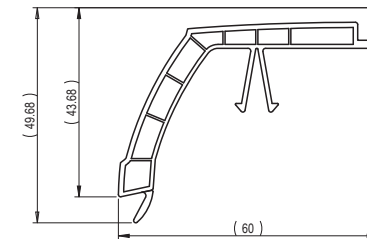
Rafter, Hip & Gable Top Caps



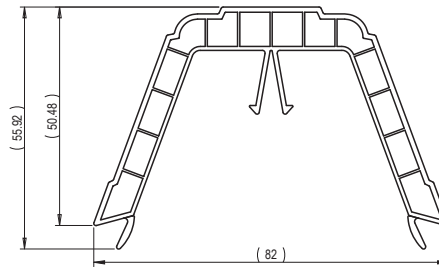
7611
RAFTER TOP CAP



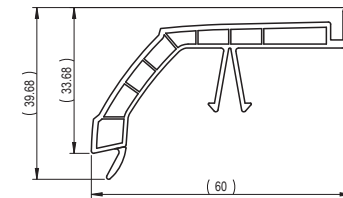
7612
EDWARDIAN HIP TOP CAP



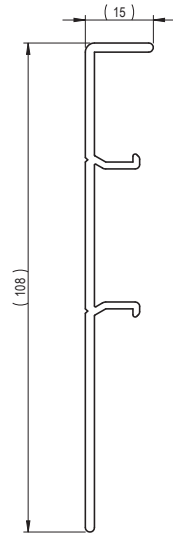
7613
STARTER/GABLE TOP CAP



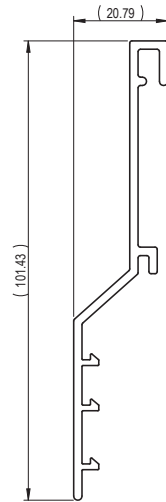
7621
EDWARDIAN HIP TOP CAP



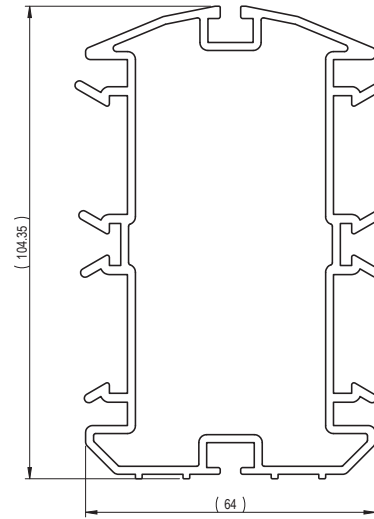
7623
STARTER/GABLE TOP CAP



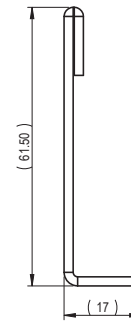
3434
BOLSTER BAR SIDE CAP



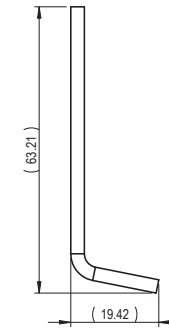
7557
GABLE SIDE CAP



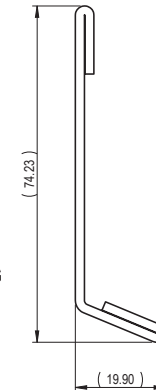
3665
BOLSTER REINFORCING



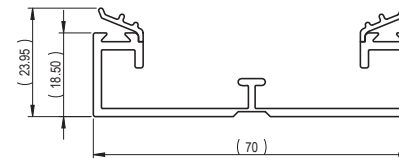
4446
RAFTER STEEL REINFORCING



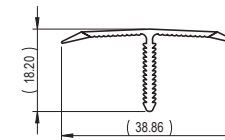
4447
VIC HIP STEEL REINFORCING



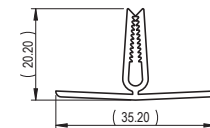
3448
EDW HIP STEEL REINFORCING



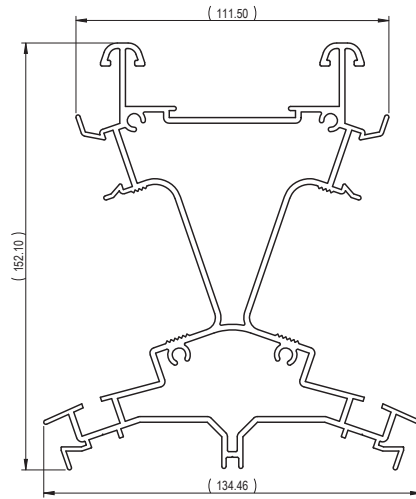
4127
RAFTER BOTTOM CAPPING



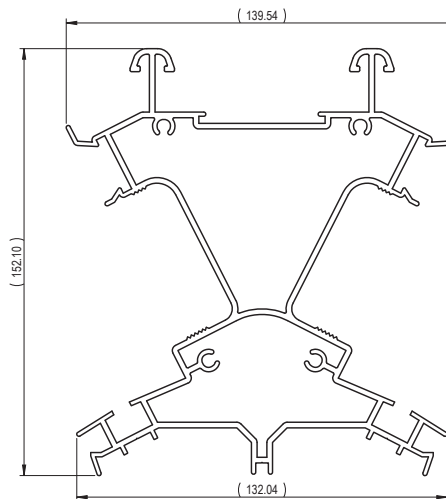
7736
MUNTIN BAR TOP



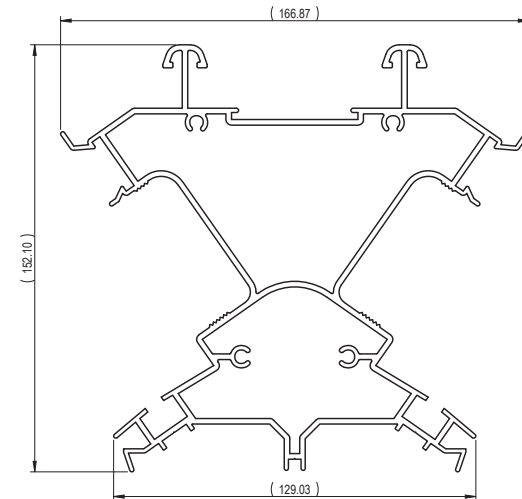
7737
MUNTIN BAR BOTTOM



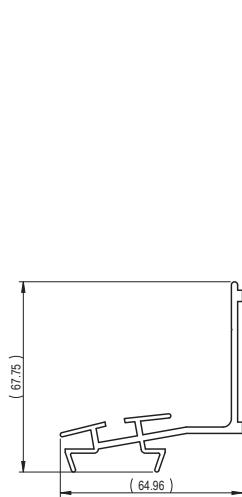
3716
RIDGE 15° - 23°



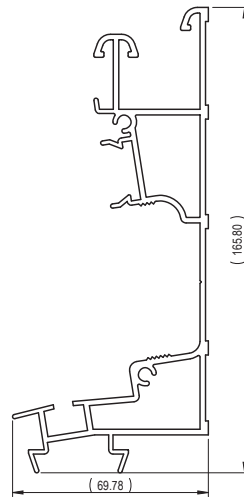
3717
RIDGE 24° - 30°



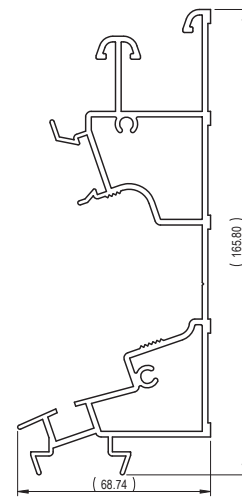
3718
RIDGE 30° - 40°



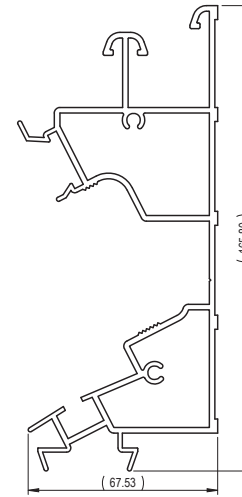
3410
BASIC LEAN-TO RIDGE 5° - 15°



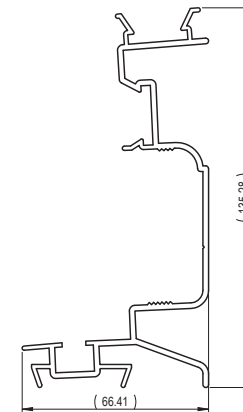
3719
LEAN-TO RIDGE 5° - 14°



3720
LEAN-TO RIDGE 15° - 23°

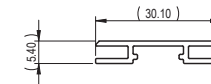
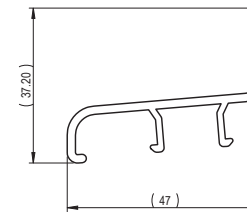
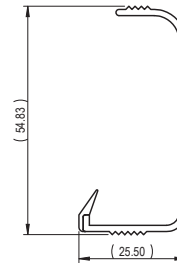
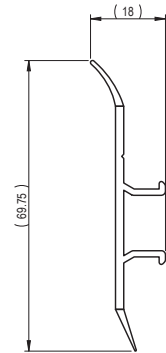
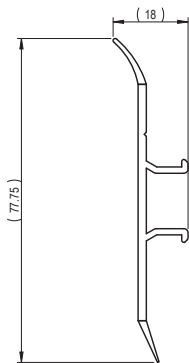
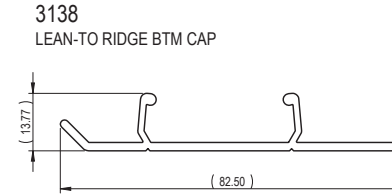
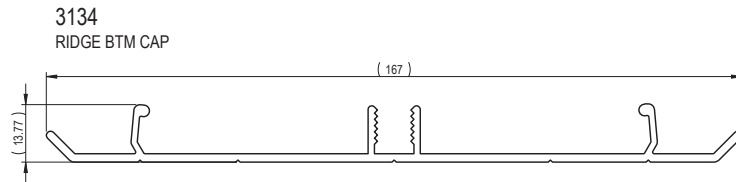
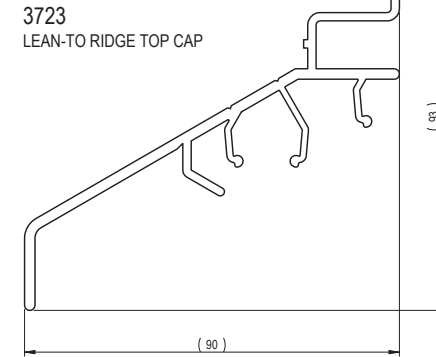
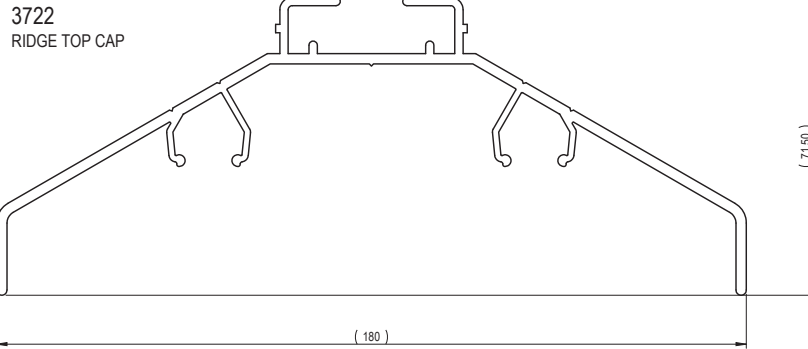


3721
LEAN-TO RIDGE 24° - 30°



3762
LOW PITCH LEAN-TO RIDGE 2.5° - 5°

Ridge Claddings



3724
GLAZING FASCIA 24mm

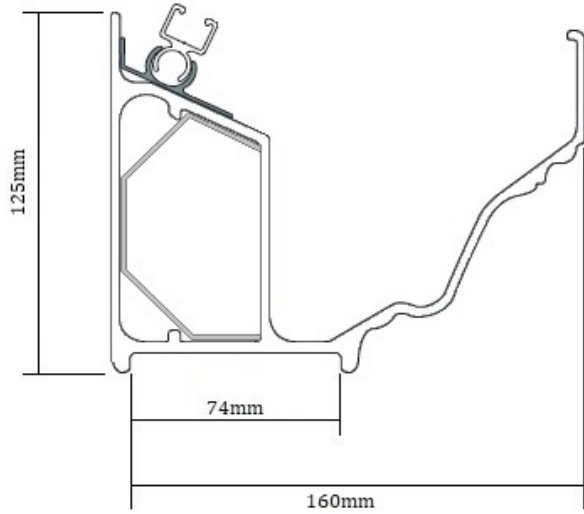
3436
GLAZING FASCIA 32mm

3435
GLAZING POCKET

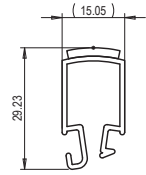
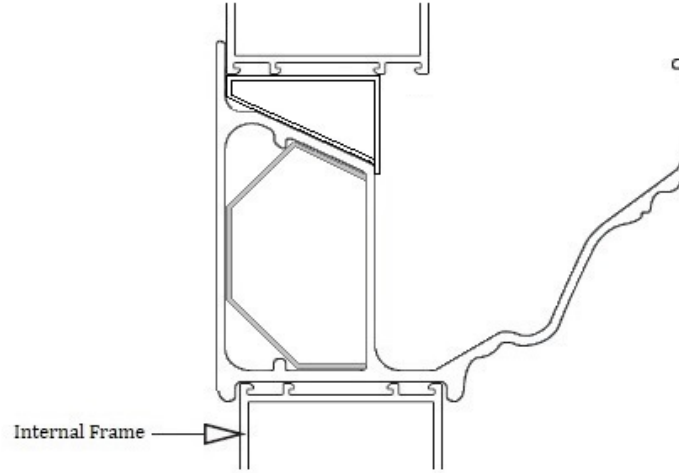
3558
LOW PITCH LEAN-TO TOP CAP

4715
RIDGE BLANK CRESTING

Eaves Beam

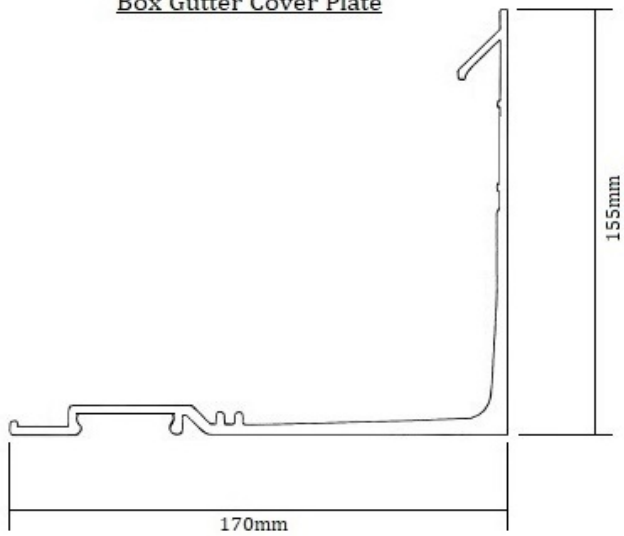


Gable Adaptor

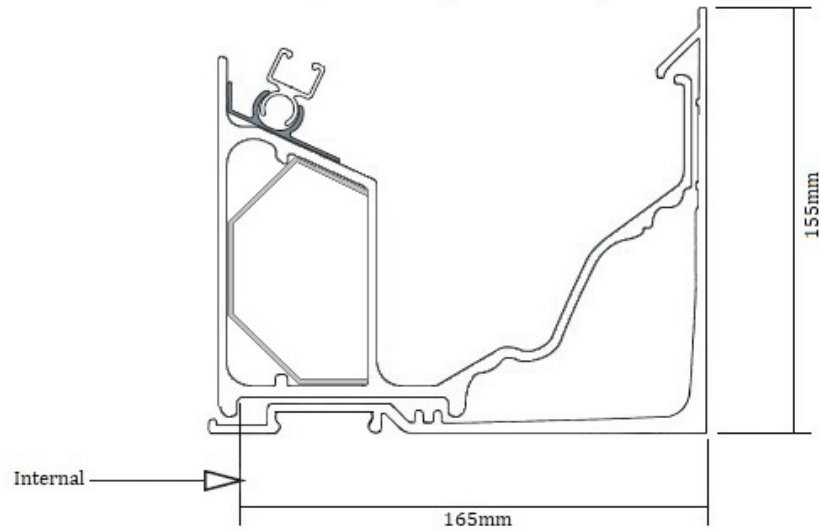


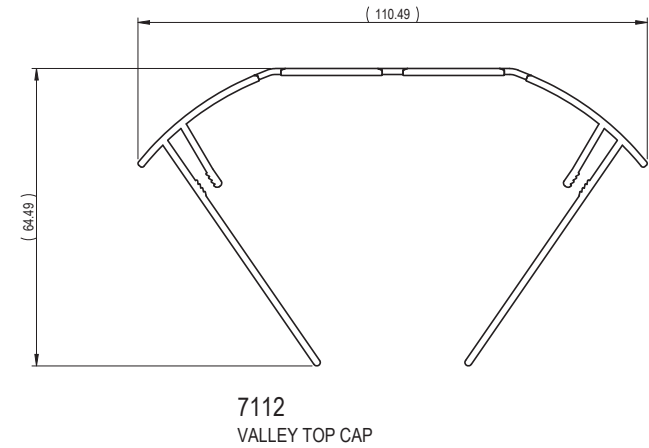
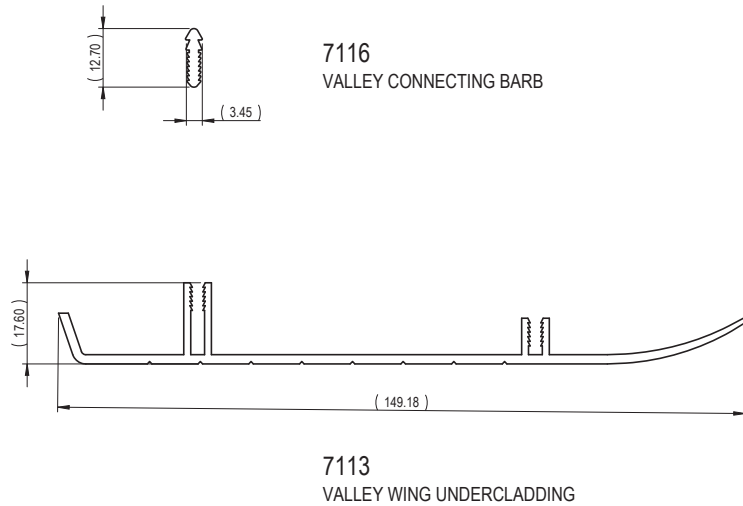
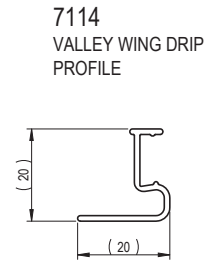
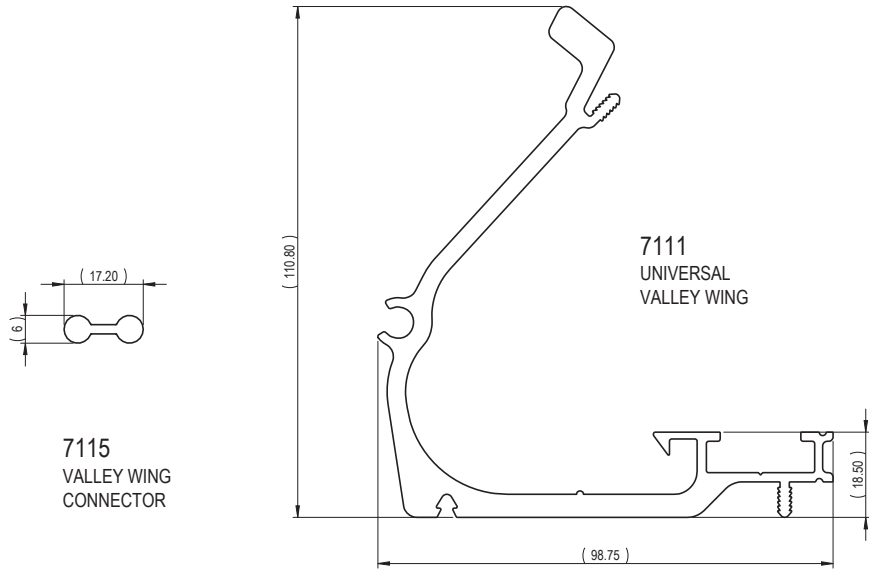
7516
GLAZING SUPPORT

Box Gutter Cover Plate

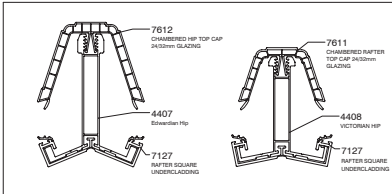


Box Gutter/Eaves Beam

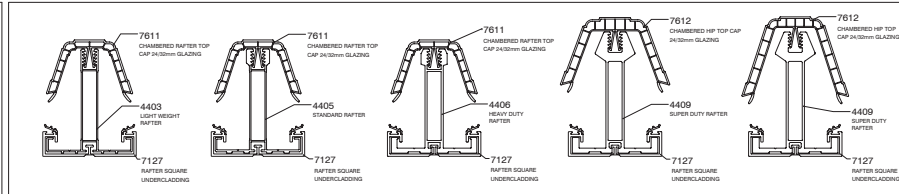




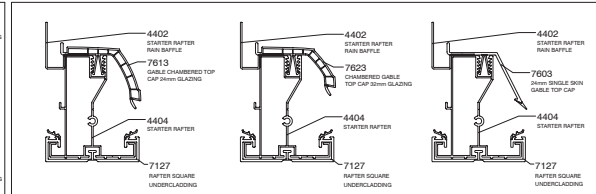
HIPS WITH CHAMBERED TOP CAPS



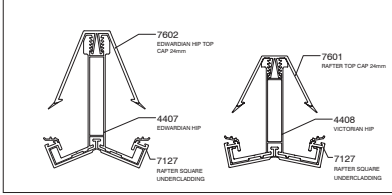
RAFTERS WITH CHAMBERED TOP CAPS



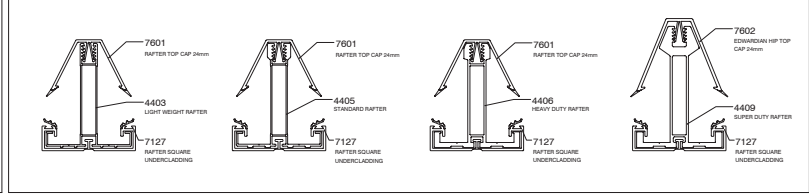
STARTER RAFTERS



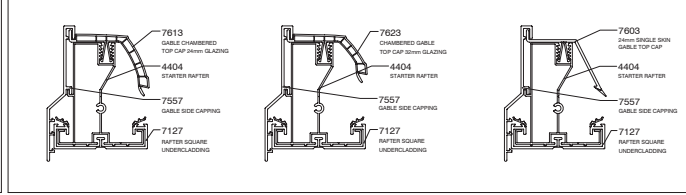
HIPS WITH SINGLE SKIN TOP CAPS



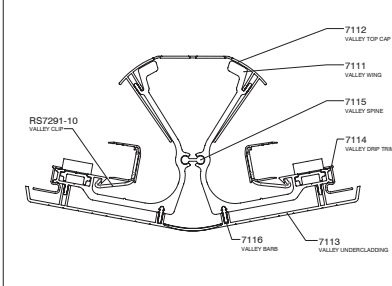
RAFTERS WITH SINGLE SKIN TOP CAPS



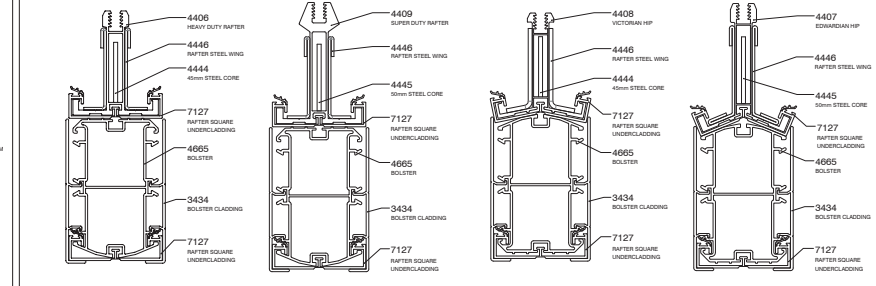
GABLE RAFTERS



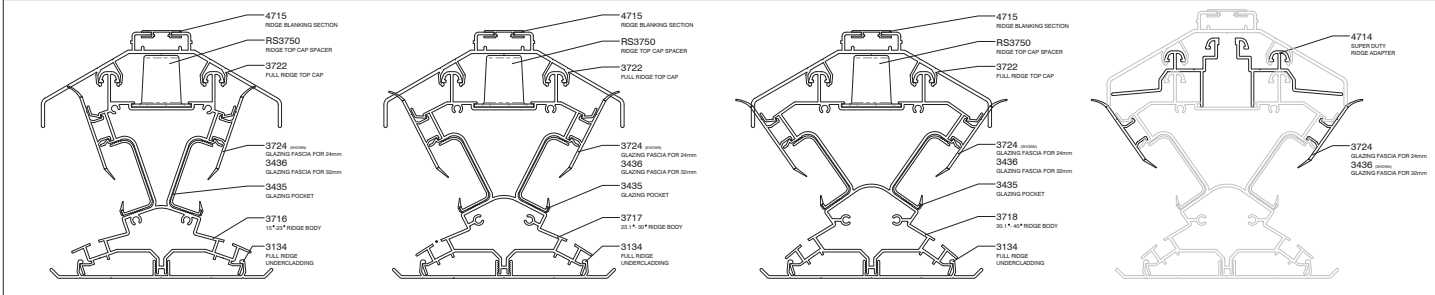
VALLEY



RAFTER REINFORCEMENT



FULL RIDGES



WALL PLATES

